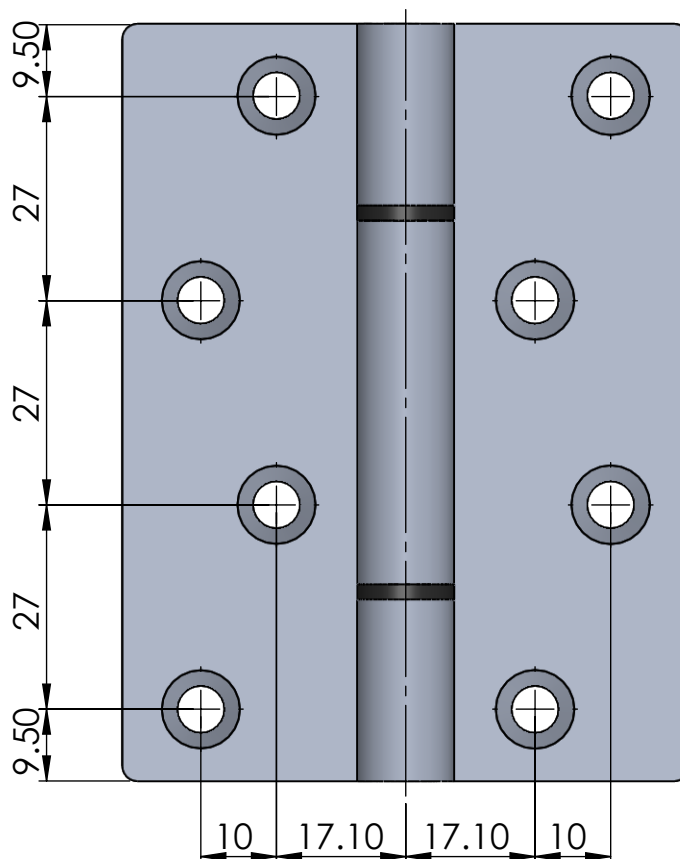
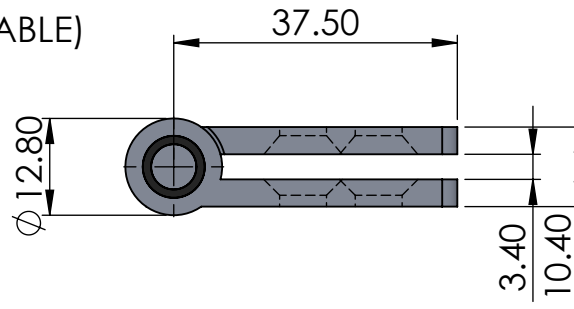


TECHNICAL DATA SHEET:
ALUMINIUM BUTT HINGES (NYLON BUSHED) TYPE 1075

6 DIA STRUCTURAL ALU.
ALLOY PIN (NOT REMOVABLE)
IN 8 DIA NYLON BUSH

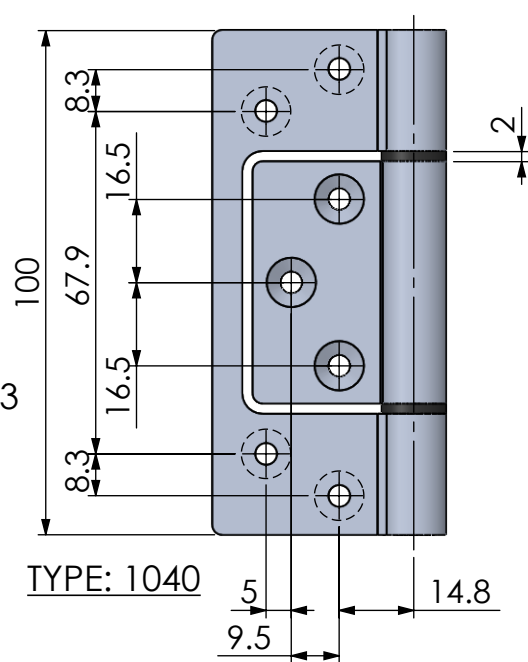
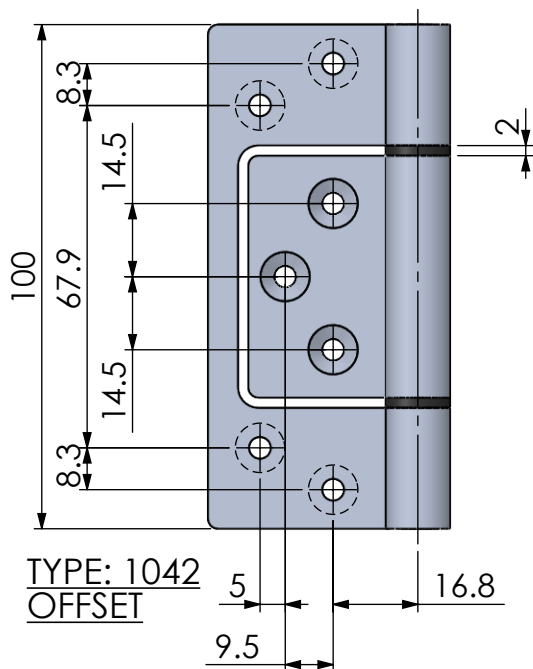
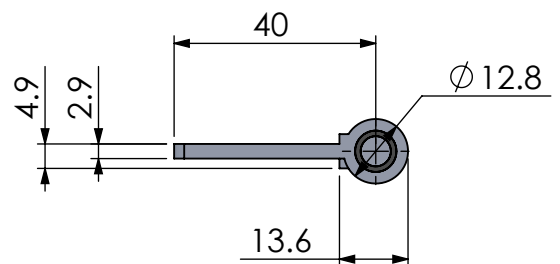
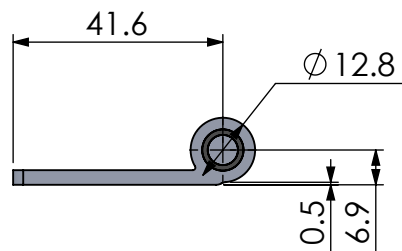


8 HOLES
6.2 DIA. CSK.

PATENTED
'TWINPIN'
ASSEMBLY

RECOMMENDED FASTENERS
No. 12 CSK WOODSCREW
M6 CSK METAL SCREW

TECHNICAL DATA SHEET:
 ALUMINIUM SINKLESS HINGES (NYLON BUSHED)
 TYPE 1042 OFFSET AND 1040

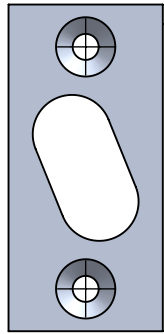


7 HOLES 4.3
 DIA. CSK

RECOMMENDED FASTENERS
 4.0 DIA. CSK POP RIVETS
 M4 CSK MACHINE SCREWS
 No. 8 CSK WOODSCREW

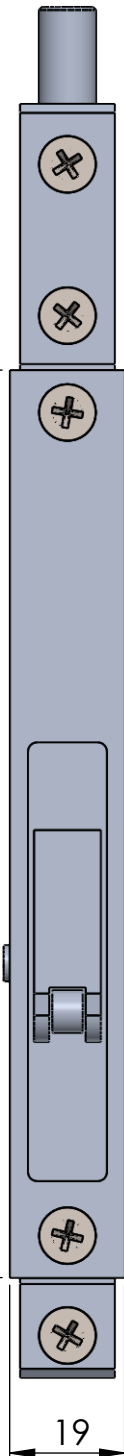
PATENTED "TWINPIN" ASSEMBLY

TECHNICAL DATA SHEET:
ALUMINIUM LEVER FLUSH BOLTS FOR METAL DOORS
TYPE M1519 (150 LONG) - TYPE M2219 (225 LONG)



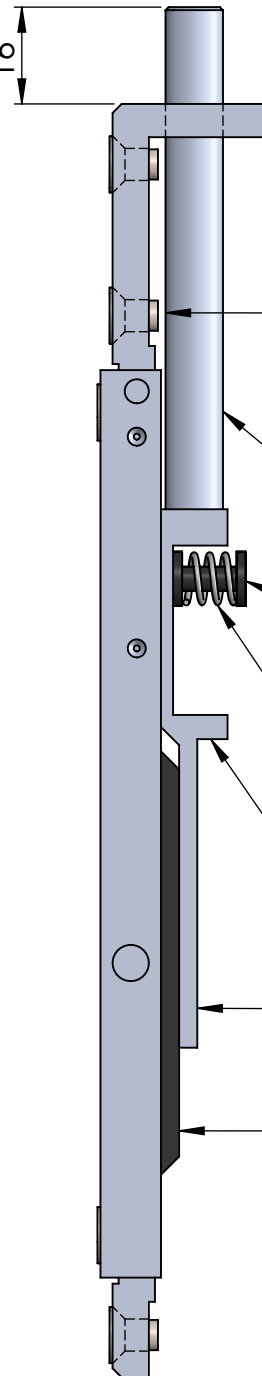
KEEP INCLUDED

150 Long - Type M1519
225 Long - Type M2219



19

THROW
16



3 CADIUM PLATED FIXING
SCREWS INCLUDED

STRUCTURAL ALU
ALLOY SHAFT

NYLON NUT AND WASHER

STAINLESS STEEL SPRING

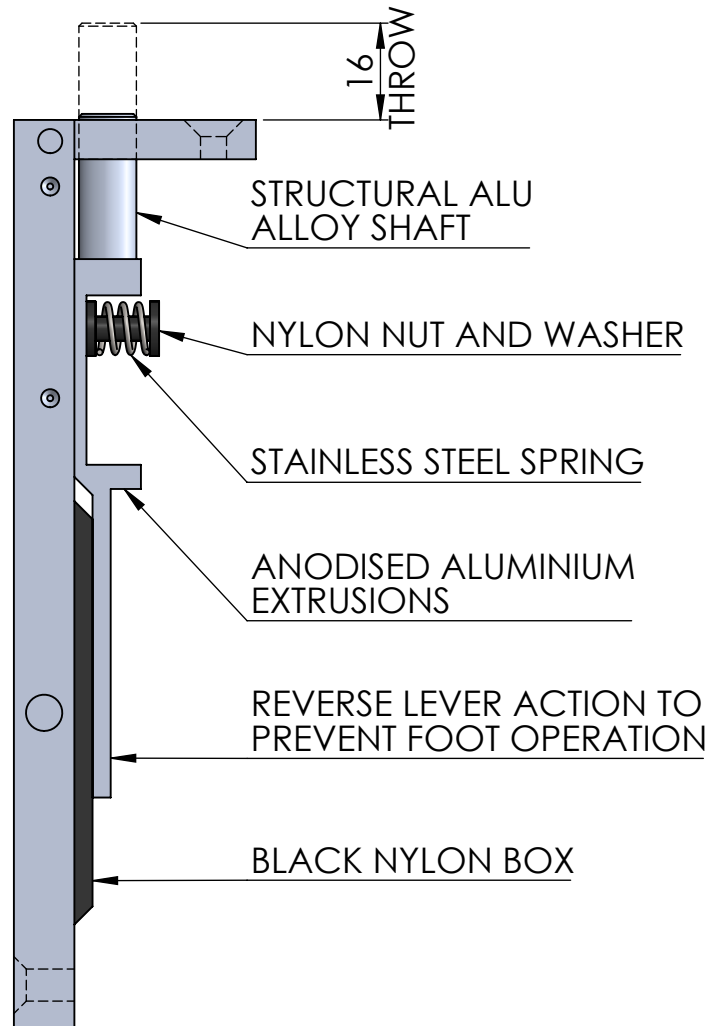
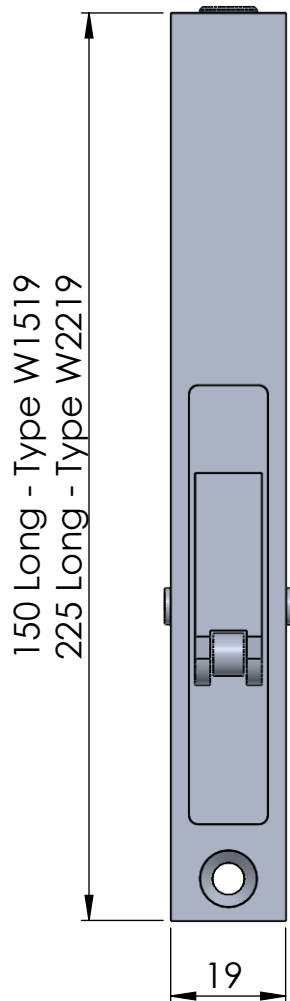
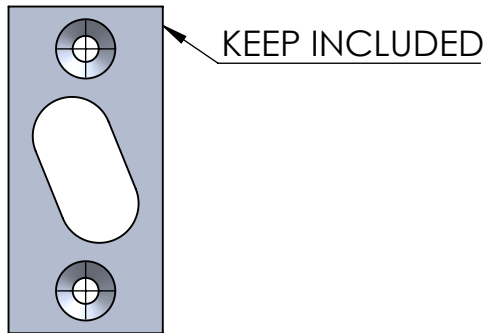
ANODISED ALUMINIUM
EXTRUSIONS

REVERSE LEVER ACTION TO
PREVENT FOOT OPERATION

BLACK NYLON BOX

FLUSH BOLTS UP TO 1m LONG
ARE AVAILABLE S.T.E.

TECHNICAL DATA SHEET:
ALUMINIUM LEVER FLUSH BOLTS FOR WOOD DOORS
TYPE W1519 (150 LONG) - TYPE W2219 (225 LONG)

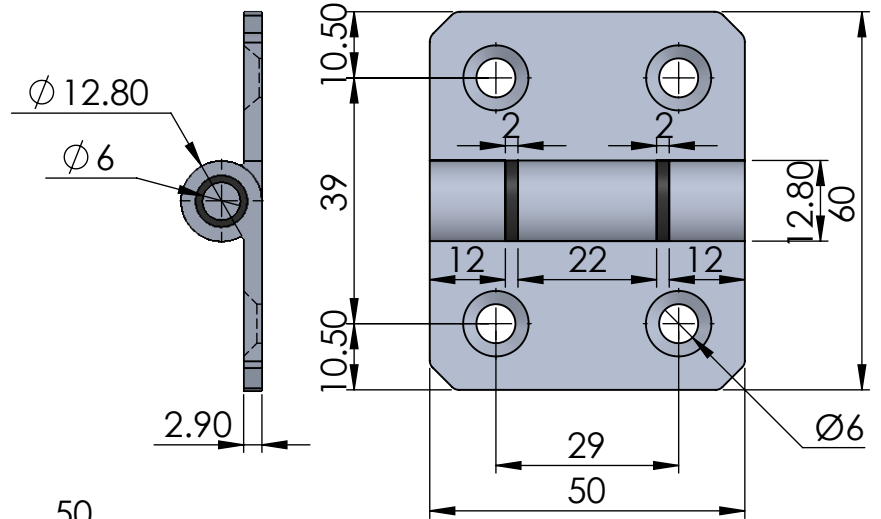


FLUSH BOLTS UP TO 1m LONG
ARE AVAILABLE S.T.E.

TECHNICAL DATA SHEET: TWIN PIN NYLON BUSH CANOPY HINGE

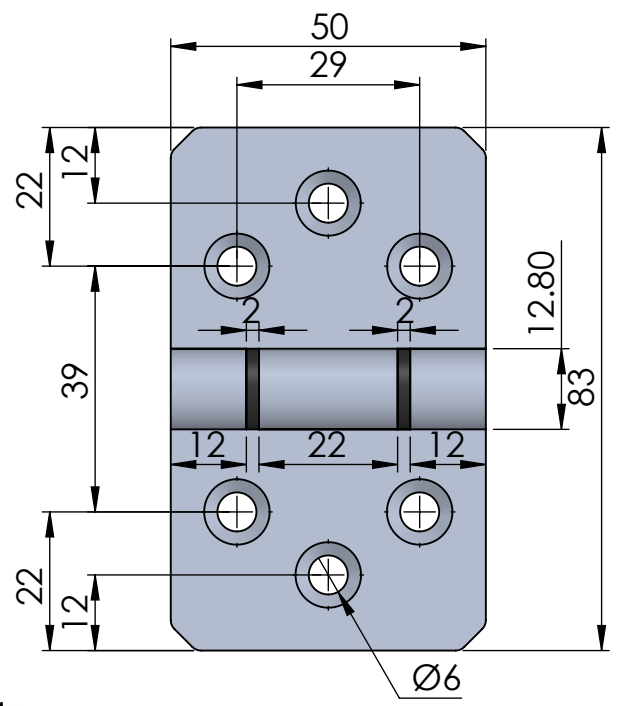
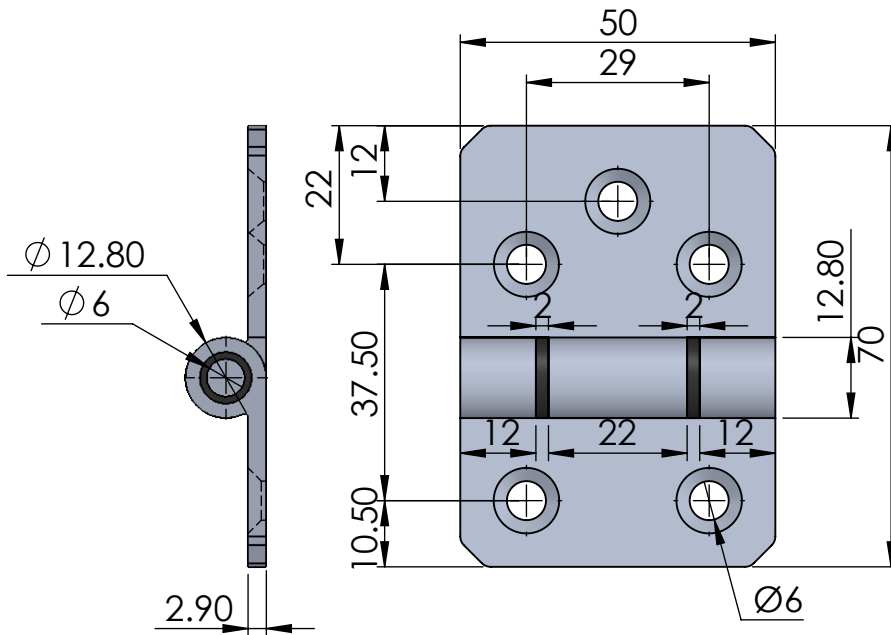
Description: TWIN PIN NYLON
 BUSH CANOPY HINGE
 Part No. ALU 4 NAT. ANODISED
 SIZE: 50x60mm
 FINISH:

- NAT.ANODISED(standard)
- BLACK POWDER COATED
- WHITE POWDER COATED



Description: TWIN PIN NYLON
 BUSH CANOPY HINGE
 Part No. ALU 5 NAT. ANODISED
 SIZE: 50x70mm
 FINISH:

- NAT.ANODISED(standard)
- BLACK POWDER COATED
- WHITE POWDER COATED



Description: TWIN PIN NYLON
 BUSH CANOPY HINGE
 PART No. ALU 6 NAT. ANODISED
 SIZE: 50x83mm
 FINISH:

- NAT.ANODISED(standard)
- BLACK POWDER COATED
- WHITE POWDER COATED